

Fig. 1

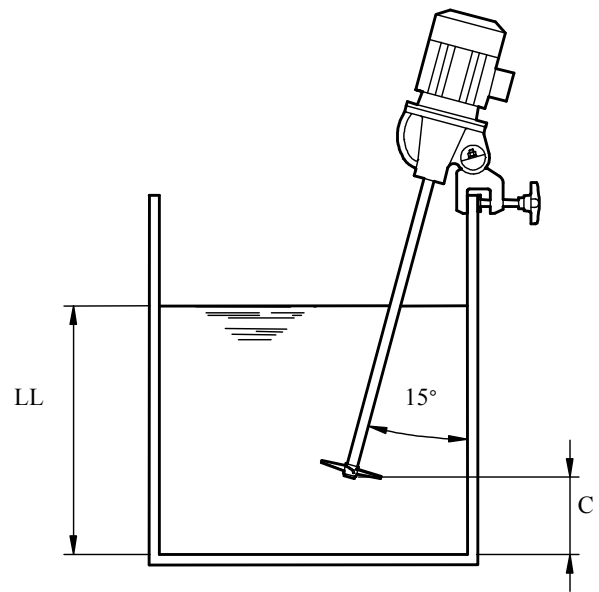


Fig. 2

Note :

C = clearance

Standard clearance : $LL / 3$

Low level clearance : $LL / 6$